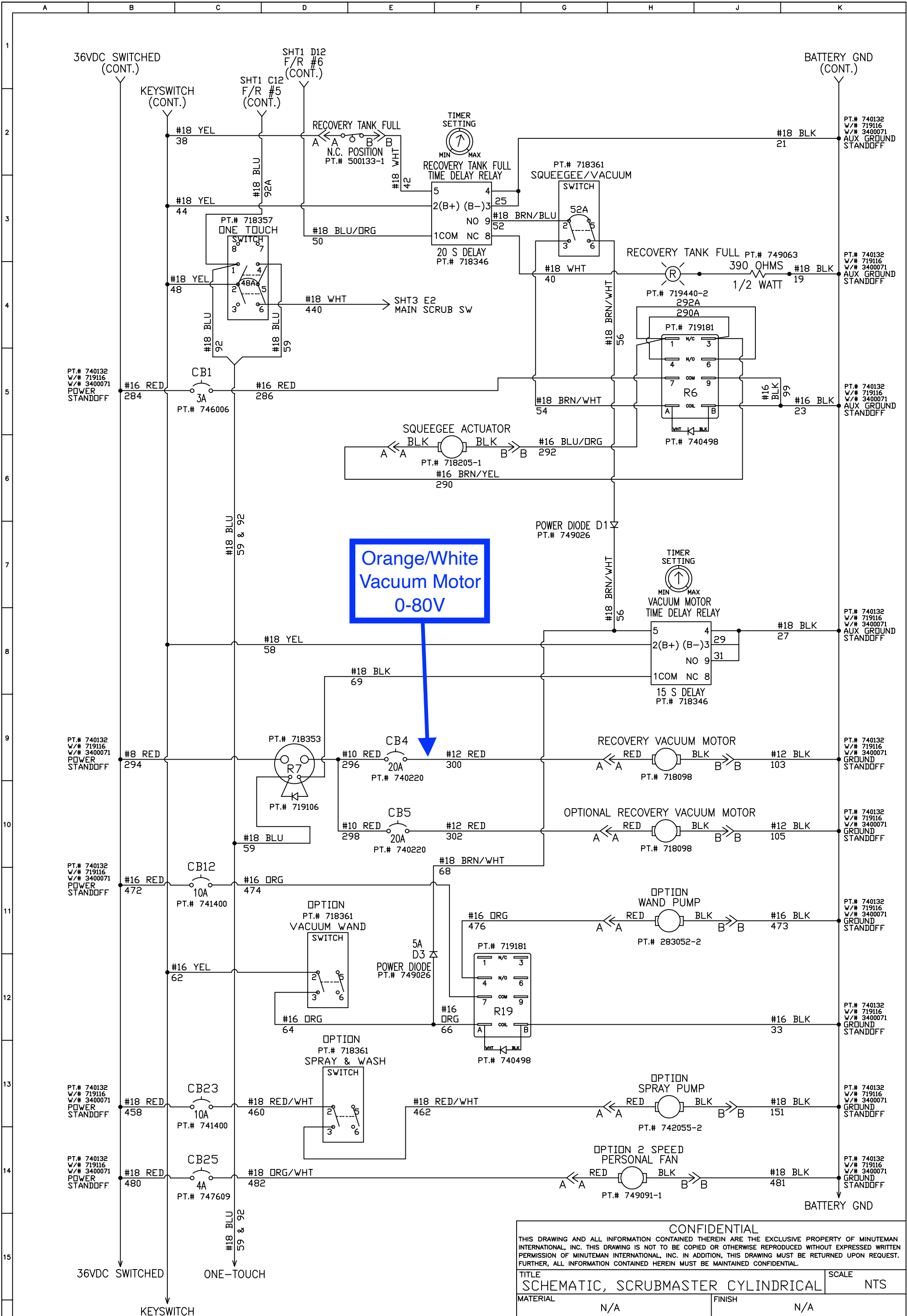


**CONFIDENTIAL**

THIS DRAWING AND ALL INFORMATION CONTAINED THEREIN ARE THE EXCLUSIVE PROPERTY OF MINUTEMAN INTERNATIONAL, INC. THIS DRAWING IS NOT TO BE COPIED OR OTHERWISE REPRODUCED WITHOUT EXPRESSED WRITTEN PERMISSION OF MINUTEMAN INTERNATIONAL, INC. IN ADDITION, THIS DRAWING MUST BE RETURNED UPON REQUEST. FURTHER, ALL INFORMATION CONTAINED HEREIN MUST BE MAINTAINED CONFIDENTIAL.

TITLE <b>SCHEMATIC, SCRUBMASTER CYLINDRICAL</b>		SCALE NTS
MATERIAL N/A		FINISH N/A
TOLERANCES (UNLESS OTHERWISE SPECIFIED) 0-1" ± 1/16 >1-12" ± 1/4" <12" ± 1/2"		REMOVE BURRS AND BREAK SHARP EDGES .005/.020 SIZE B
DRAWN BY KEN.HARTLEY		DATE 03/13/20
CHECKED BY KEN.HARTLEY		DATE 03/13/20
14N845 U.S. ROUTE 20 PINGREE GROVE, IL 60140		<b>P.N. 719551</b> SHEET 1 OF 5

REV	E.C.N.	DATE	CHANGE	BY	CHK BY



Orange/White  
Vacuum Motor  
0-80V

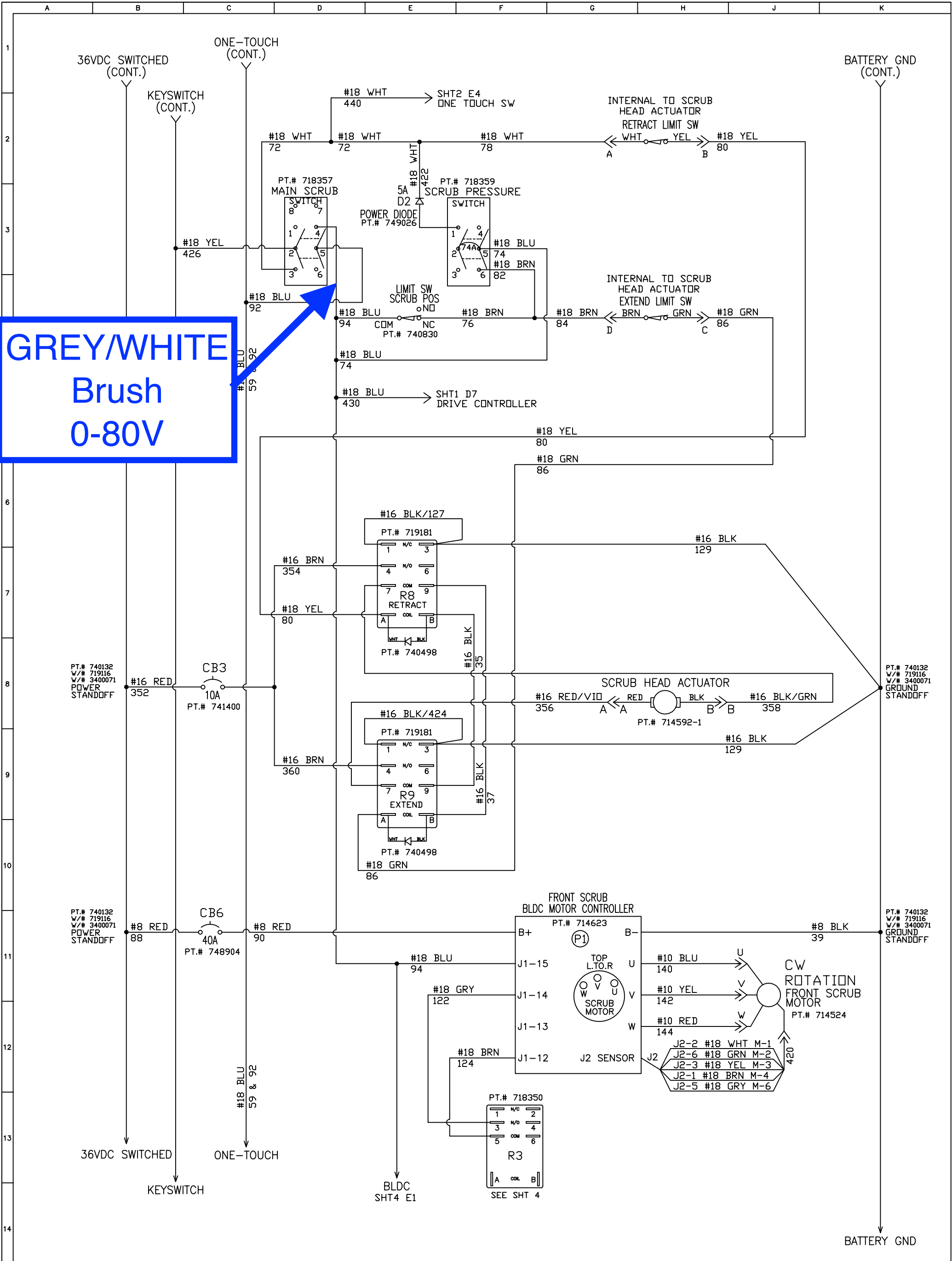
**CONFIDENTIAL**  
THIS DRAWING AND ALL INFORMATION CONTAINED THEREIN ARE THE EXCLUSIVE PROPERTY OF MINUTEMAN INTERNATIONAL, INC. THIS DRAWING IS NOT TO BE COPIED OR OTHERWISE REPRODUCED WITHOUT EXPRESSED WRITTEN PERMISSION OF MINUTEMAN INTERNATIONAL, INC. IN ADDITION, THIS DRAWING MUST BE RETURNED UPON REQUEST. FURTHER, ALL INFORMATION CONTAINED HEREIN MUST BE MAINTAINED CONFIDENTIAL.

TITLE <b>SCHEMATIC, SCRUBMASTER CYLINDRICAL</b>		SCALE NTS
MATERIAL N/A		FINISH N/A

TOLERANCES (UNLESS OTHERWISE SPECIFIED)		REMOVE BURRS AND BREAK SHARP EDGES .005/.020	
0-1" ± 1/16	.000 ± .005	SIZE B	DRAWN BY KEN.HARTLEY
>1-12" ± 1/4"	.00 ± .010	CHECKED BY KEN.HARTLEY	DATE 03/13/20
<12" ± 1/2"	ANGLES ± 30'		DATE 03/13/20

14N845 U.S. ROUTE 20  
PINGREE GROVE, IL 60140
P.N. 719551
REV A

REV	E.C.N.	DATE	CHANGE	BY	CHK BY



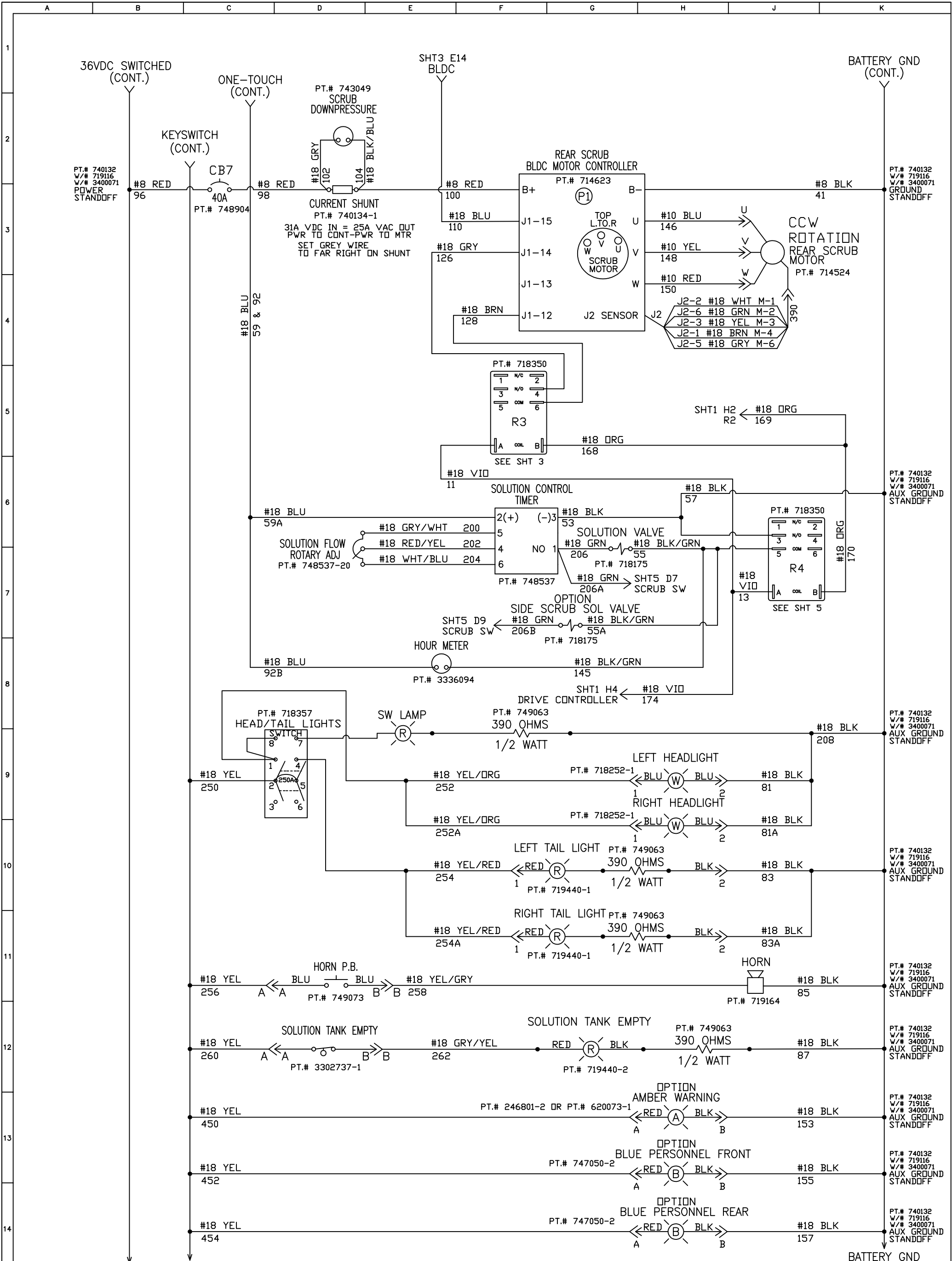
GREY/WHITE  
Brush  
0-80V

**CONFIDENTIAL**

THIS DRAWING AND ALL INFORMATION CONTAINED HEREIN ARE THE EXCLUSIVE PROPERTY OF MINUTEMAN INTERNATIONAL, INC. THIS DRAWING IS NOT TO BE COPIED OR OTHERWISE REPRODUCED WITHOUT EXPRESSED WRITTEN PERMISSION OF MINUTEMAN INTERNATIONAL, INC. IN ADDITION, THIS DRAWING MUST BE RETURNED UPON REQUEST. FURTHER, ALL INFORMATION CONTAINED HEREIN MUST BE MAINTAINED CONFIDENTIAL.

TITLE <b>SCHEMATIC, SCRUBMASTER CYLINDRICAL</b>		SCALE NTS
MATERIAL N/A		FINISH N/A
TOLERANCES (UNLESS OTHERWISE SPECIFIED) 0-1" ± 1/16 >1-12" ± 1/4" <12" ± 1/2"		REMOVE BURRS AND BREAK SHARP EDGES .005/.020 SIZE B
DRAWN BY KEN.HARTLEY		DATE 03/13/20
CHECKED BY KEN.HARTLEY		DATE 03/13/20
14N845 U.S. ROUTE 20 PINGREE GROVE, IL 60140		<b>P.N.</b> 719551 SHEET 3 OF 5

REV	E.C.N.	DATE	CHANGE	BY	CHK BY



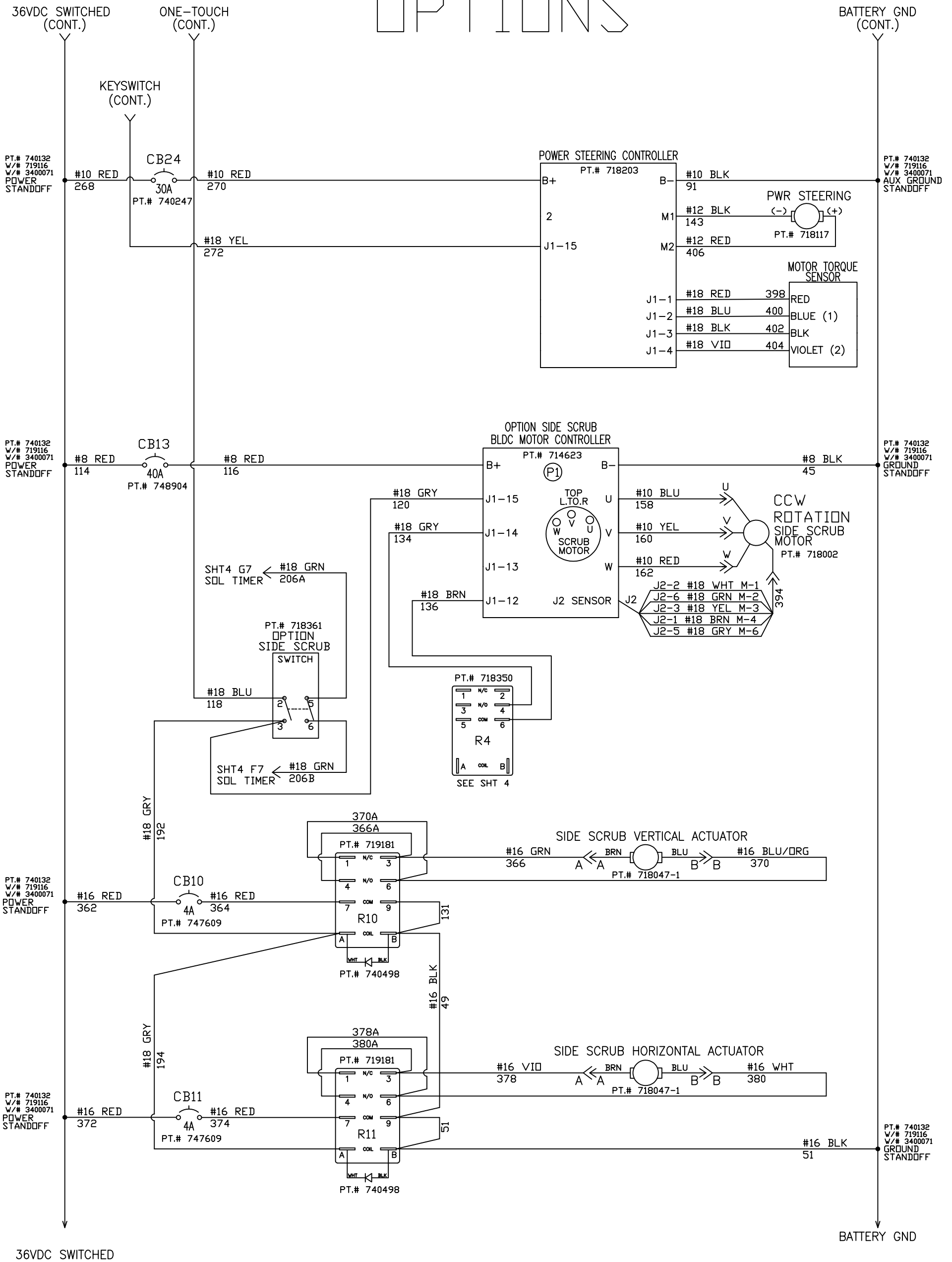
**CONFIDENTIAL**

THIS DRAWING AND ALL INFORMATION CONTAINED HEREIN ARE THE EXCLUSIVE PROPERTY OF MINUTEMAN INTERNATIONAL, INC. THIS DRAWING IS NOT TO BE COPIED OR OTHERWISE REPRODUCED WITHOUT EXPRESSED WRITTEN PERMISSION OF MINUTEMAN INTERNATIONAL, INC. IN ADDITION, THIS DRAWING MUST BE RETURNED UPON REQUEST. FURTHER, ALL INFORMATION CONTAINED HEREIN MUST BE MAINTAINED CONFIDENTIAL.

TITLE <b>SCHEMATIC, SCRUBMASTER CYLINDRICAL</b>		SCALE NTS
MATERIAL N/A		FINISH N/A
TOLERANCES (UNLESS OTHERWISE SPECIFIED)		REMOVE BURRS AND BREAK SHARP EDGES .005/.020
0-1" ± 1/16	.000 ± .005	SIZE B
>1-12" ± 1/4"	.00 ± .010	DRAWN BY KEN.HARTLEY
<12" ± 1/2"	ANGLES ± 30'	CHECKED BY KEN.HARTLEY
14N845 U.S. ROUTE 20 PINGREE GROVE, IL 60140		DATE 03/13/20
		DATE 03/13/20
P.N. 719551		REV A
SHEET 4 OF 5		

REV	E.C.N.	DATE	CHANGE	BY	CHK BY

# OPTIONS



CONFIDENTIAL			
THIS DRAWING AND ALL INFORMATION CONTAINED THEREIN ARE THE EXCLUSIVE PROPERTY OF MINUTEMAN INTERNATIONAL, INC. THIS DRAWING IS NOT TO BE COPIED OR OTHERWISE REPRODUCED WITHOUT EXPRESSED WRITTEN PERMISSION OF MINUTEMAN INTERNATIONAL, INC. IN ADDITION, THIS DRAWING MUST BE RETURNED UPON REQUEST. FURTHER, ALL INFORMATION CONTAINED HEREIN MUST BE MAINTAINED CONFIDENTIAL.			
TITLE SCHEMATIC, SCRUBMASTER CYLINDRICAL			SCALE NTS
MATERIAL N/A		FINISH N/A	
TOLERANCES (UNLESS OTHERWISE SPECIFIED)		REMOVE BURRS AND BREAK SHARP EDGES .005/.020	
0-1" ± 1/16	.000 ± .005	SIZE B	DRAWN BY KEN.HARTLEY
>1-12" ± 1/4"	.00 ± .010	CHECKED BY KEN.HARTLEY	DATE 03/13/20
<12" ± 1/2"	ANGLES ± 30'		DATE 03/13/20
14N845 U.S. ROUTE 20 PINGREE GROVE, IL 60140		<b>P.N.</b> 719551	
REV		SHEET 5 OF 5	
E.C.N.	DATE	CHANGE	BY

REV	E.C.N.	DATE	CHANGE	BY	CHK BY